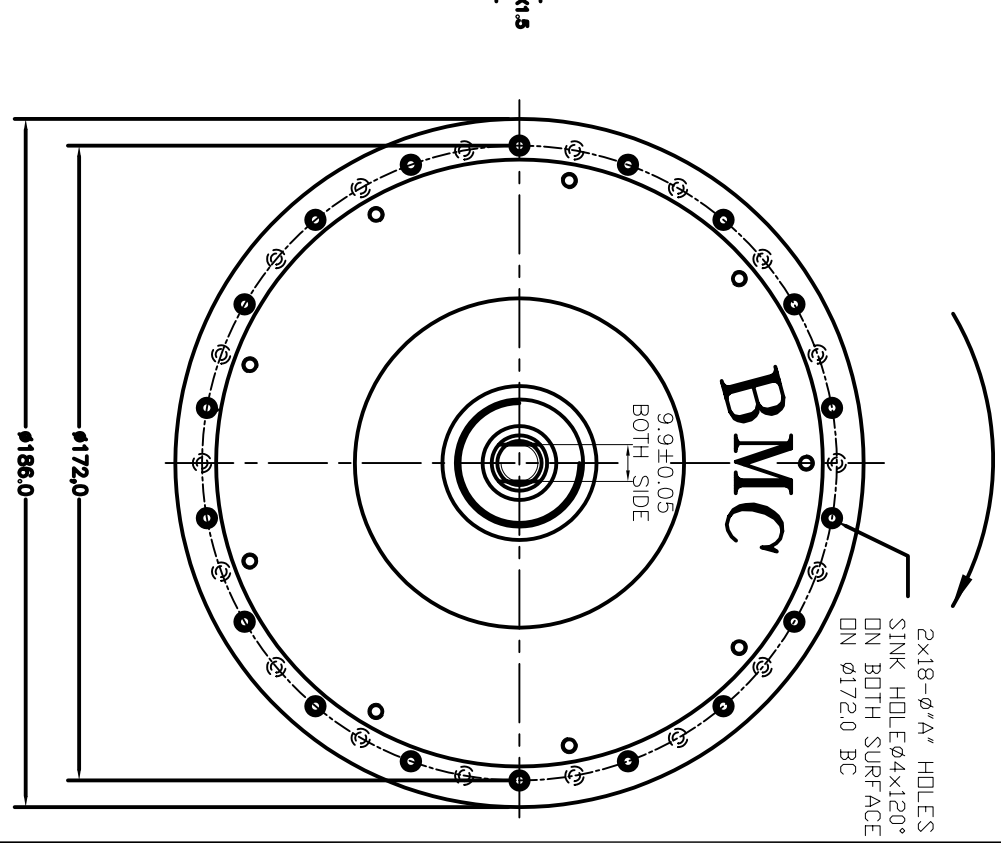
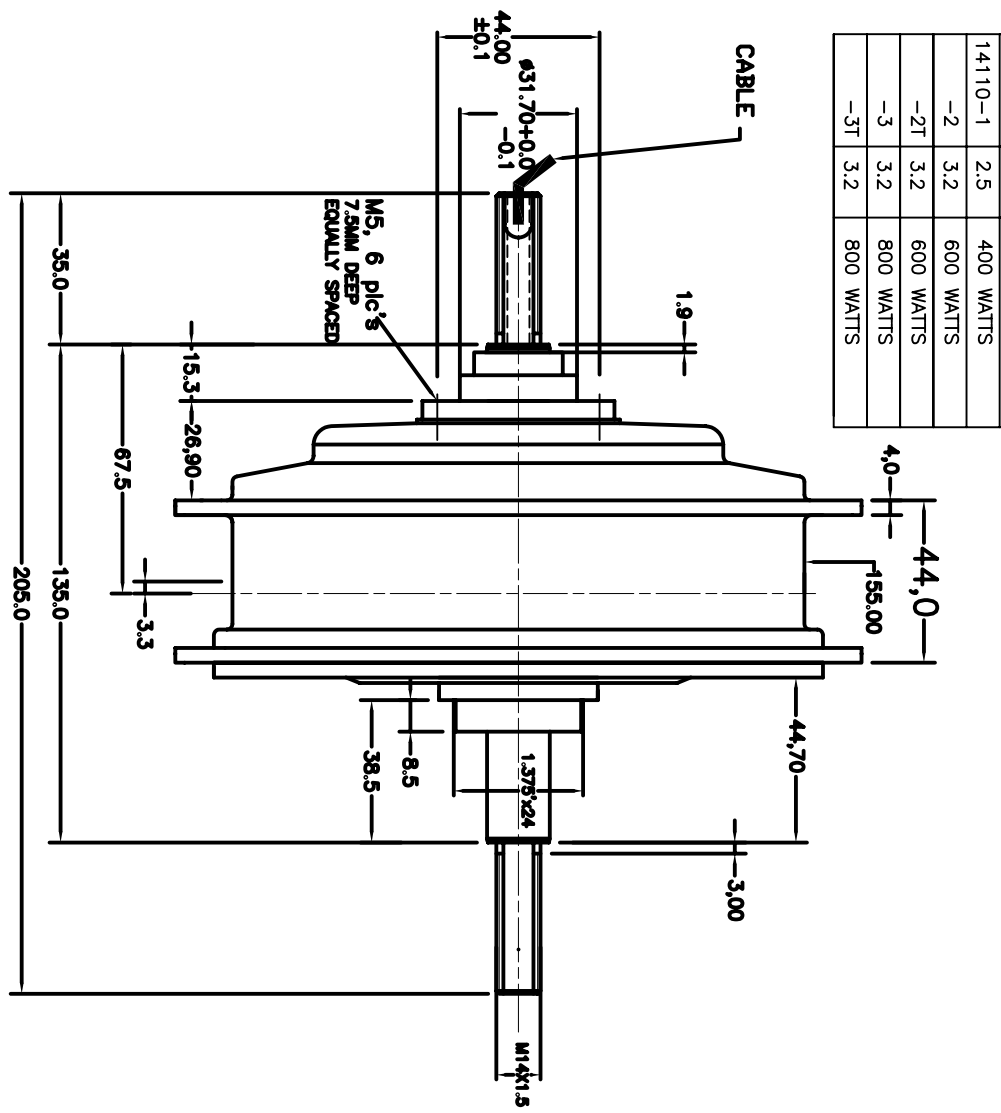


NOTE: THIS IS CONFIDENTIAL PROPERTY OF BMC.IT IS NOT TO BE COPIED OR DUPLICATED IN ANY MANNER AND SHALL NOT BE SUBMITTED TO OUTSIDE PARTIES WITHOUT OUR WRITTEN CONSENT.

14110C

PART NO	Ø"A"	PERFORMANCE SPEC.
14110-1	2.5	400 WATTS
-2	3.2	600 WATTS
-2T	3.2	600 WATTS
-3	3.2	800 WATTS
-3T	3.2	800 WATTS



- NOTE:
- 1 SILVER PAINTING
 - 2 ROTATION: CCW FROM LEAD WIRES END
 3. ALL DIMENSIONS ARE IN MM.

TOLERANCES UNLESS NOTED	ANGULARITY	DRAWN BY:	BMC BRUSHLESS MOTOR CORP.
.0	CONCENTRICITY	SHW/ETA	20447 NORDHOFF ST. CHATHAM, CA 91311 USA.
.00	PERPENDICULARITY	CHECKED BY:	REAR HUB MOTOR OUTLINE
ANGLE ± 2°	REFERENCE DIM.	NGW	
(X) REF. DIM.	DIAMETER	DATE:	DWG. NO. 14110C
	MATERIAL	02 NOV 2008	REV.

REV	DATE	BY	ECN	REMARKS	CK