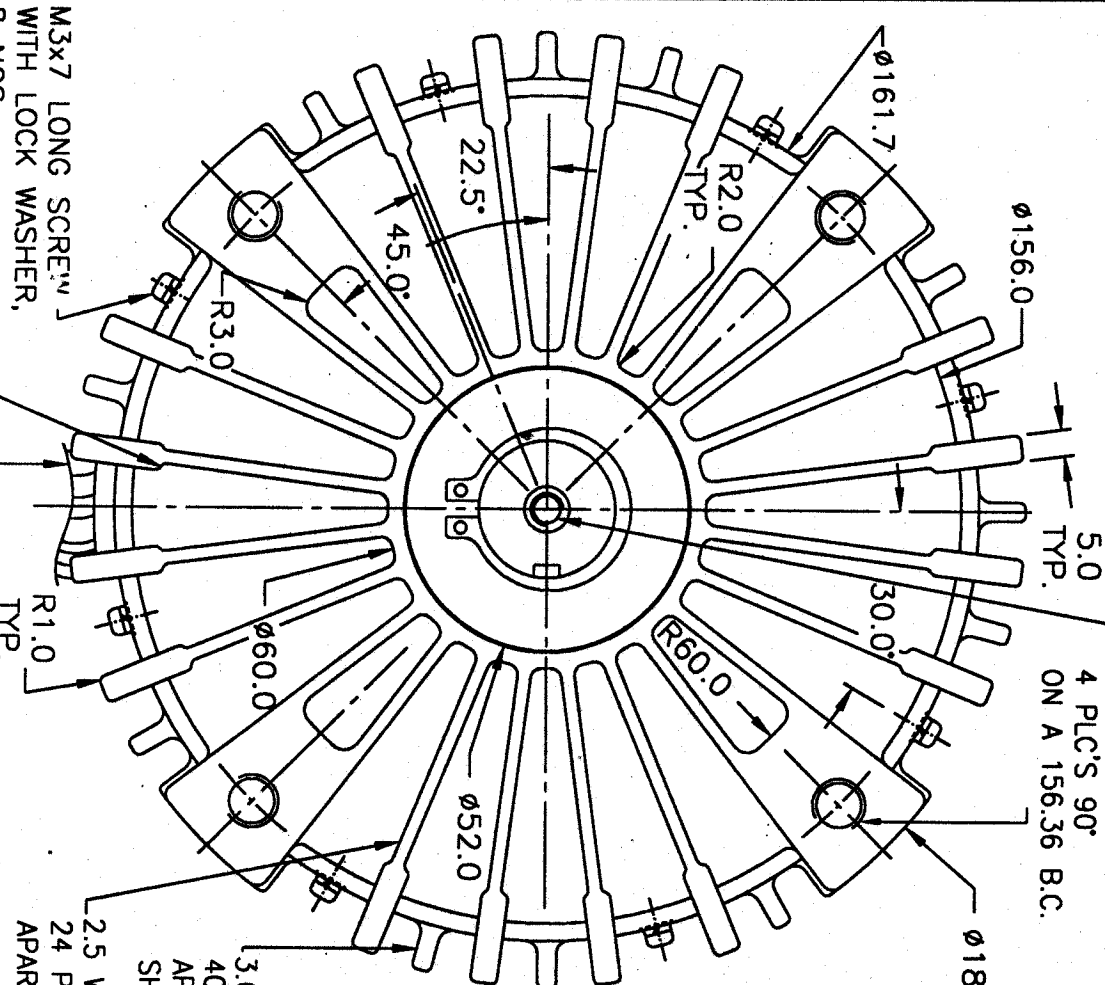
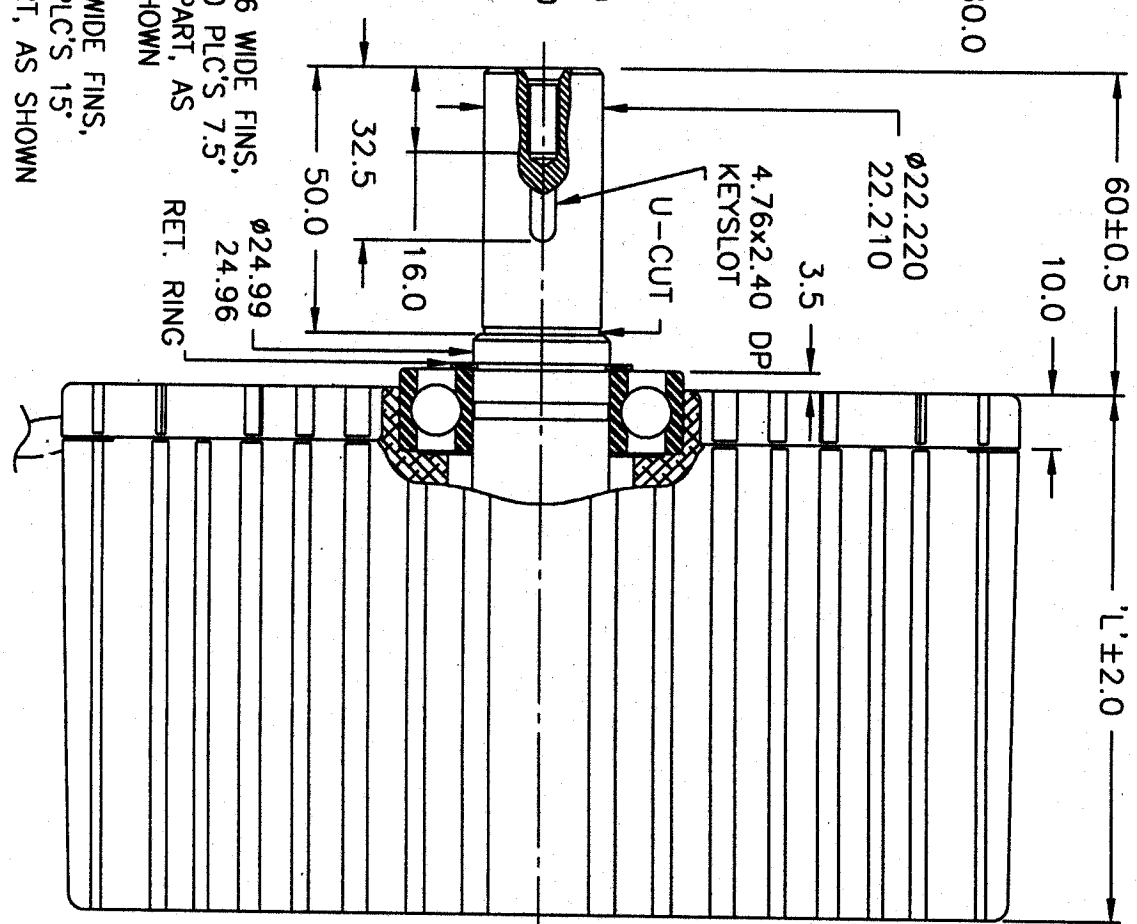


NOTE: THIS IS CONFIDENTIAL PROPERTY OF BMC. IT IS NOT TO BE COPIED OR DUPLICATED IN ANY MANNER AND SHALL NOT BE SUBMITTED TO OUTSIDE PARTIES WITHOUT OUR WRITTEN CONSENT.

PART NO.	'L'	RATED POWER
13280-1	78.0	1000 WATTS
-2	100.0	2000 WATTS
-3	121.0	3000 WATTS



M6x1
16.0 DP. MIN.
TAP M10x11.0 DP,
4 PLC'S 90°
ON A 156.36 B.C.



NOTE:
1. CONTROLLER MOUNTED INSIDE THE MOTOR.
2. ALL DIMENSIONS ARE IN MM.

REV.	DATE	BY	ECN	REMARKS	CK

TOLERANCES UNLESS NOTED 0 ±.25 00 ±.13 (X) REF. DIM.	ANGULARITY CIRCULAR RUNOUT CONCENTRICITY PERPENDICULARITY REFERENCE DIM. DIAMETER	DRAWN BY: PARTH	BMC BRUSHLESS MOTOR CO. 7625 Homestead Ave., Suite 31, Van Nuys, CA 91406, USA MOTOR OUTLINE (58FRAME) LAWN MOWER
		CHECKED BY: SGN	
		DATE: 16 NOV 03	REV. <input type="checkbox"/>